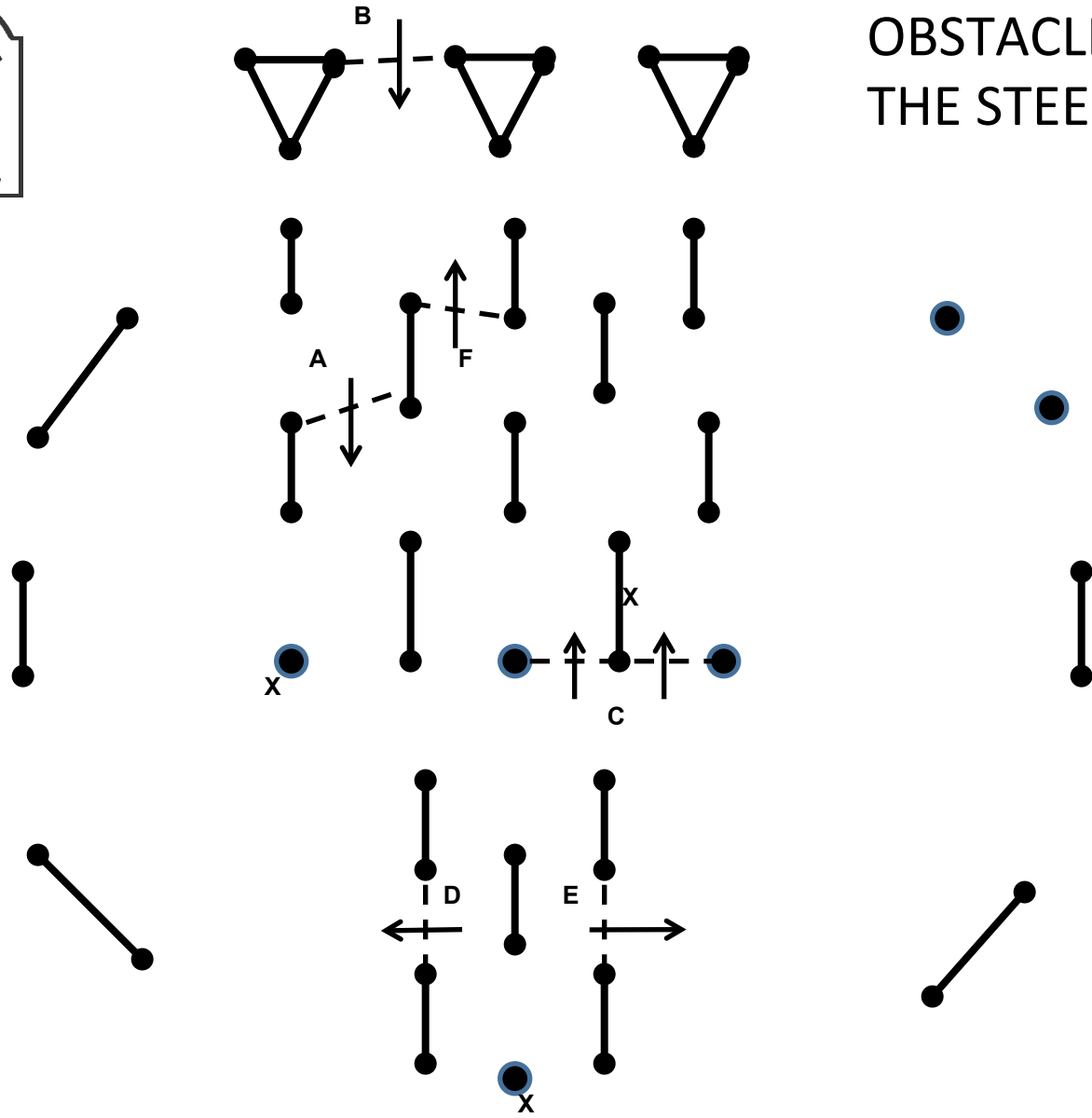


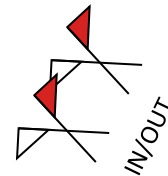


# OBSTACLE 1 THE STEEPLECHASE CIRCLE



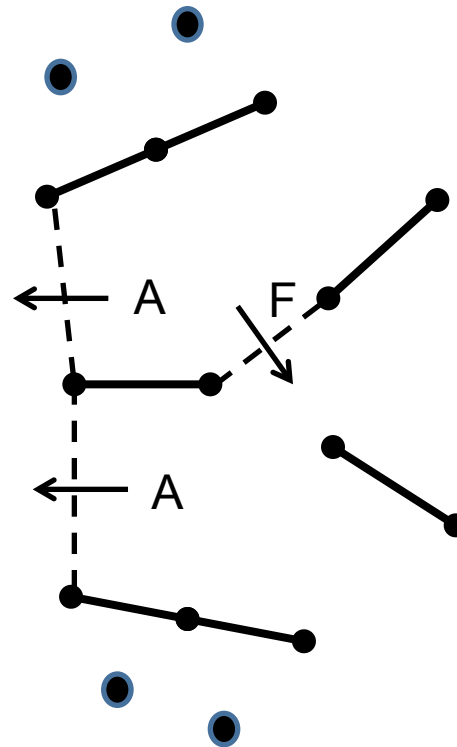
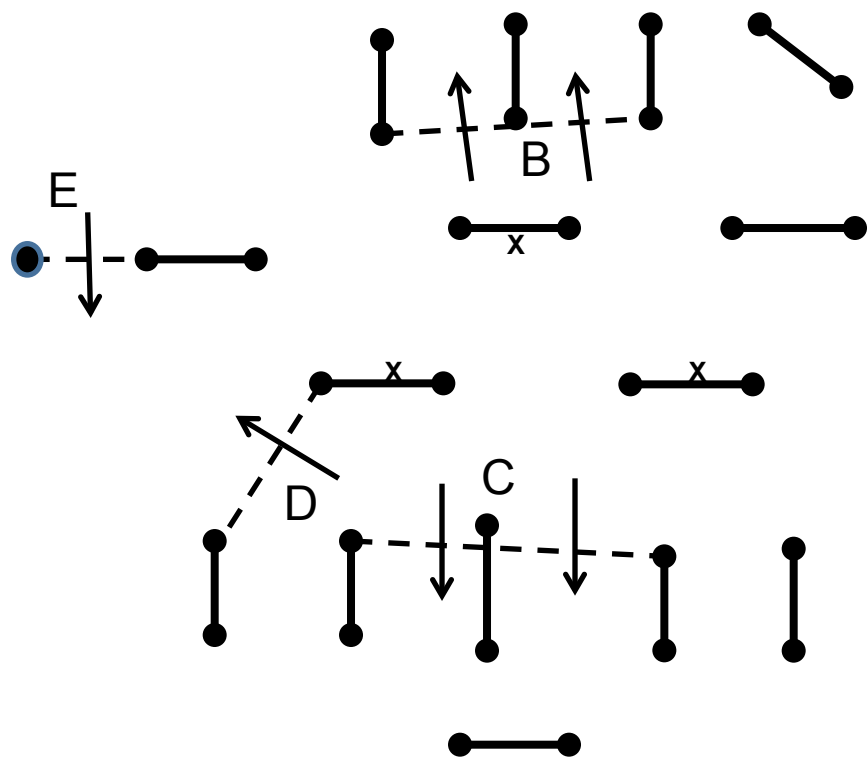
Training A – C  
 Prelim A – D  
 Inter A – E  
 FEI A – F

X Knockdown (3)





# OBSTACLE 2 GILL'S HILL



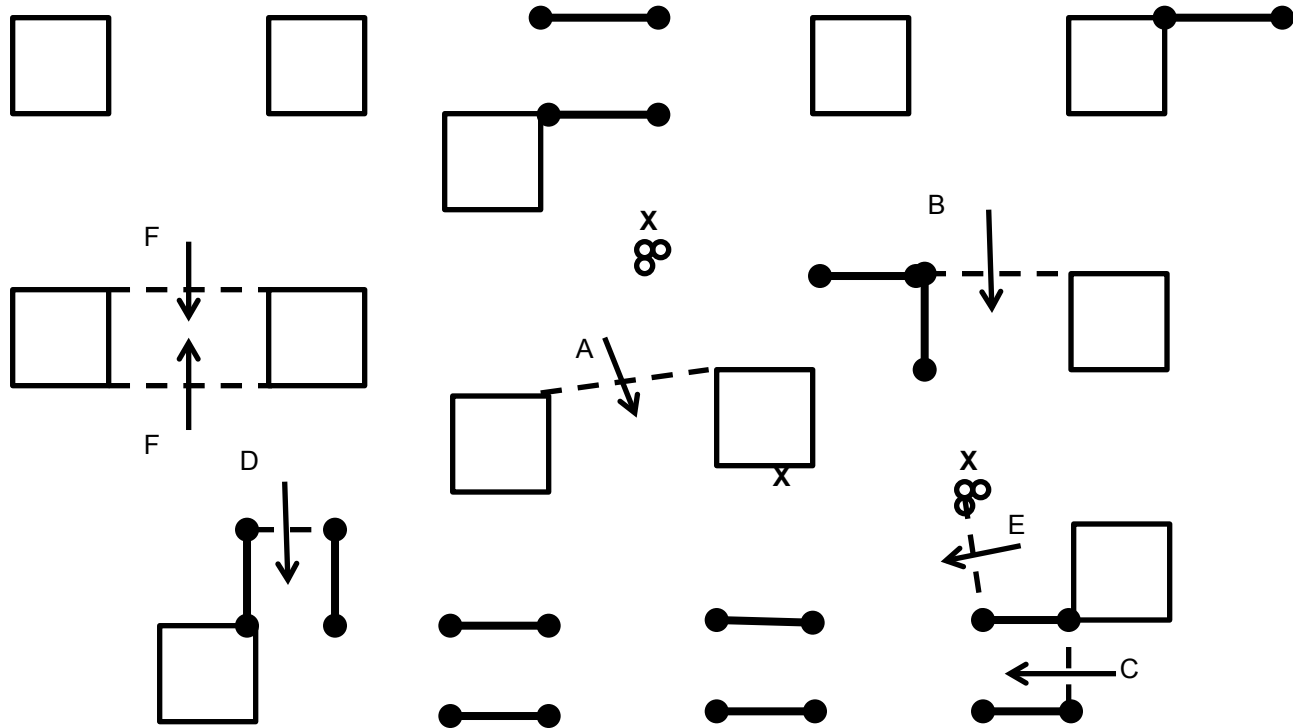
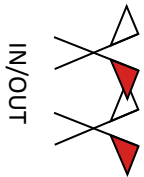
Inter A – E  
FEI A – F

X Knockdown (3)





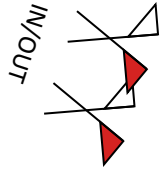
# OBSTACLE 3 PASCO COUNTY CITRUS



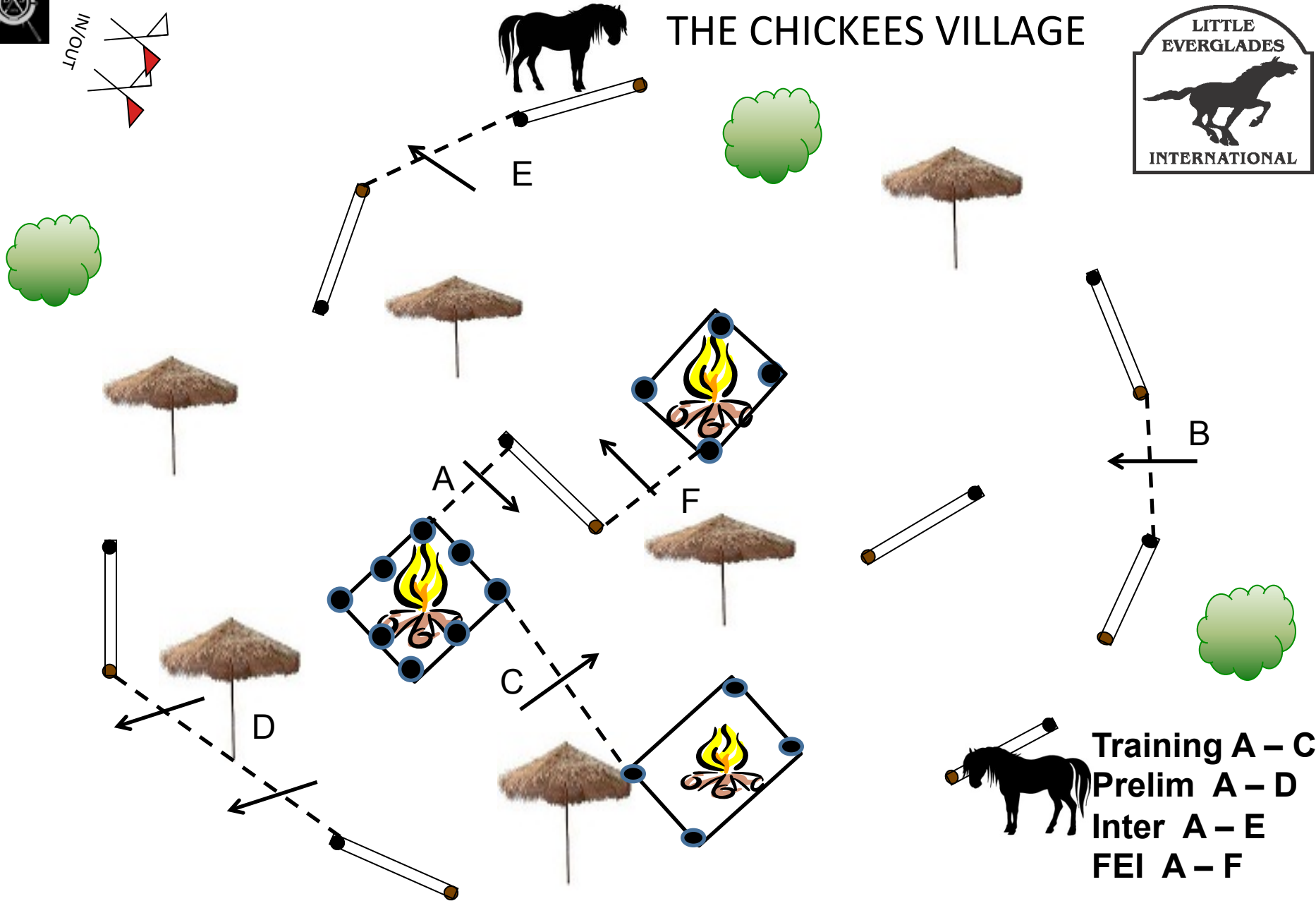
Training A - C  
 Prelim A - D  
 Inter A - E  
 FEI A - F

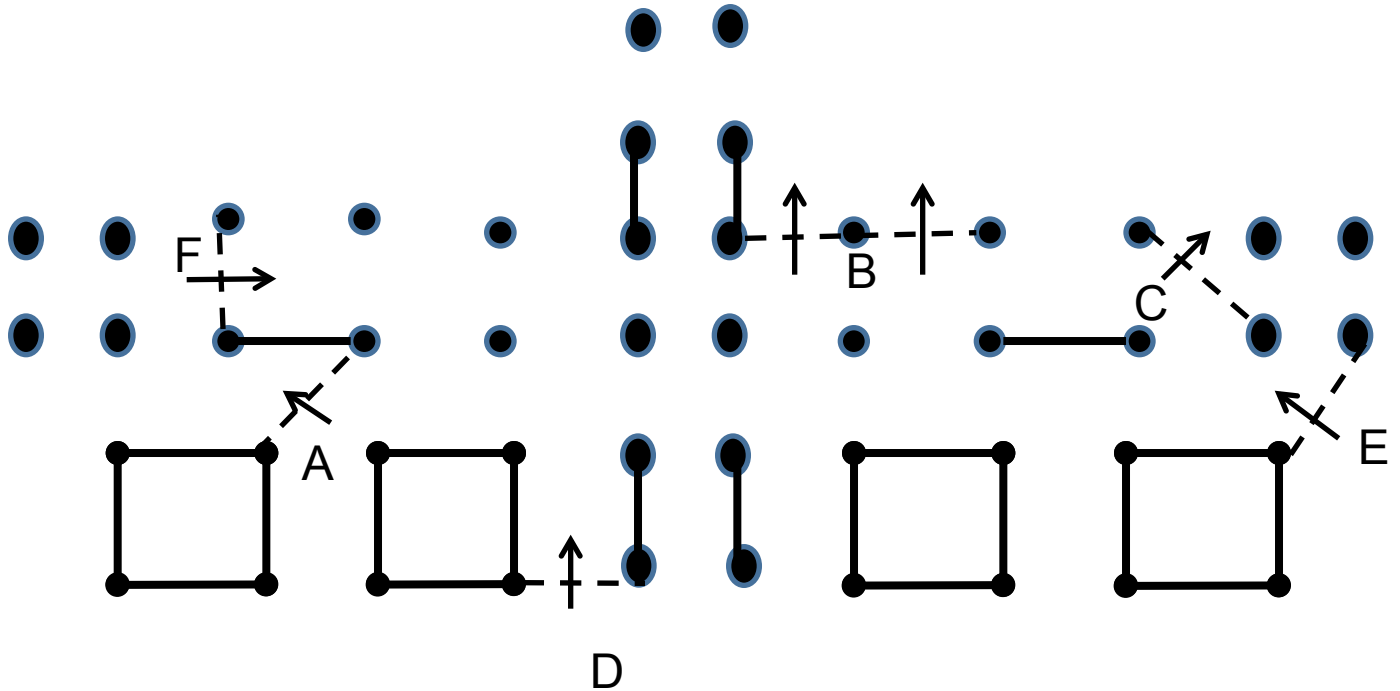
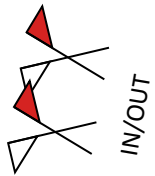
X Knockdown (3)





# OBSTACLE 4 THE CHICKEES VILLAGE





Training A – C  
 Prelim A – D  
 Inter A – E  
 FEI A – F



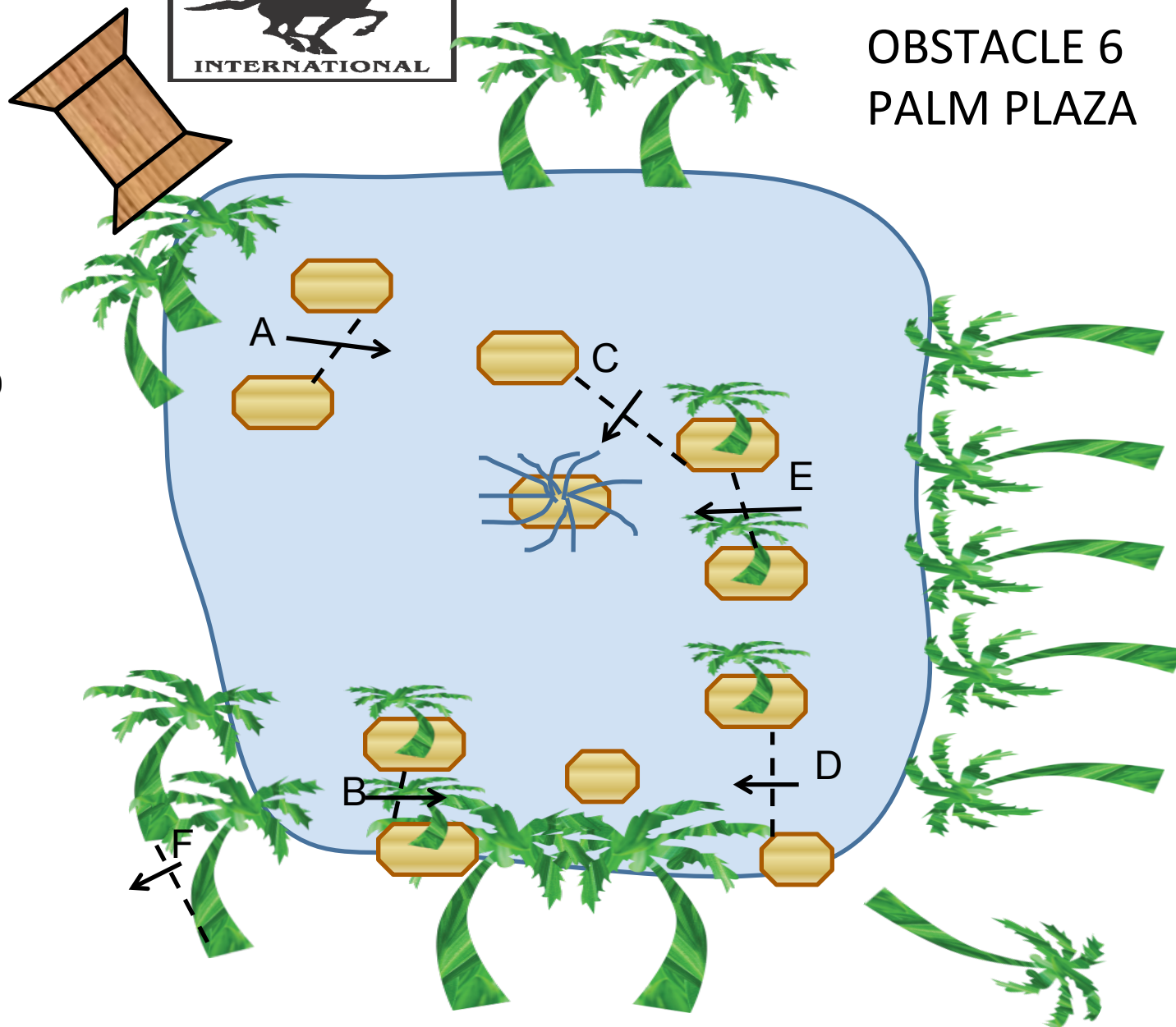
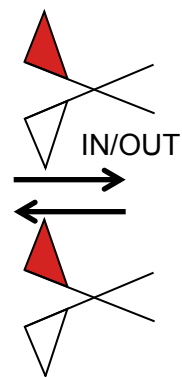
# OBSTACLE 5 THE ALLTECH TOWER





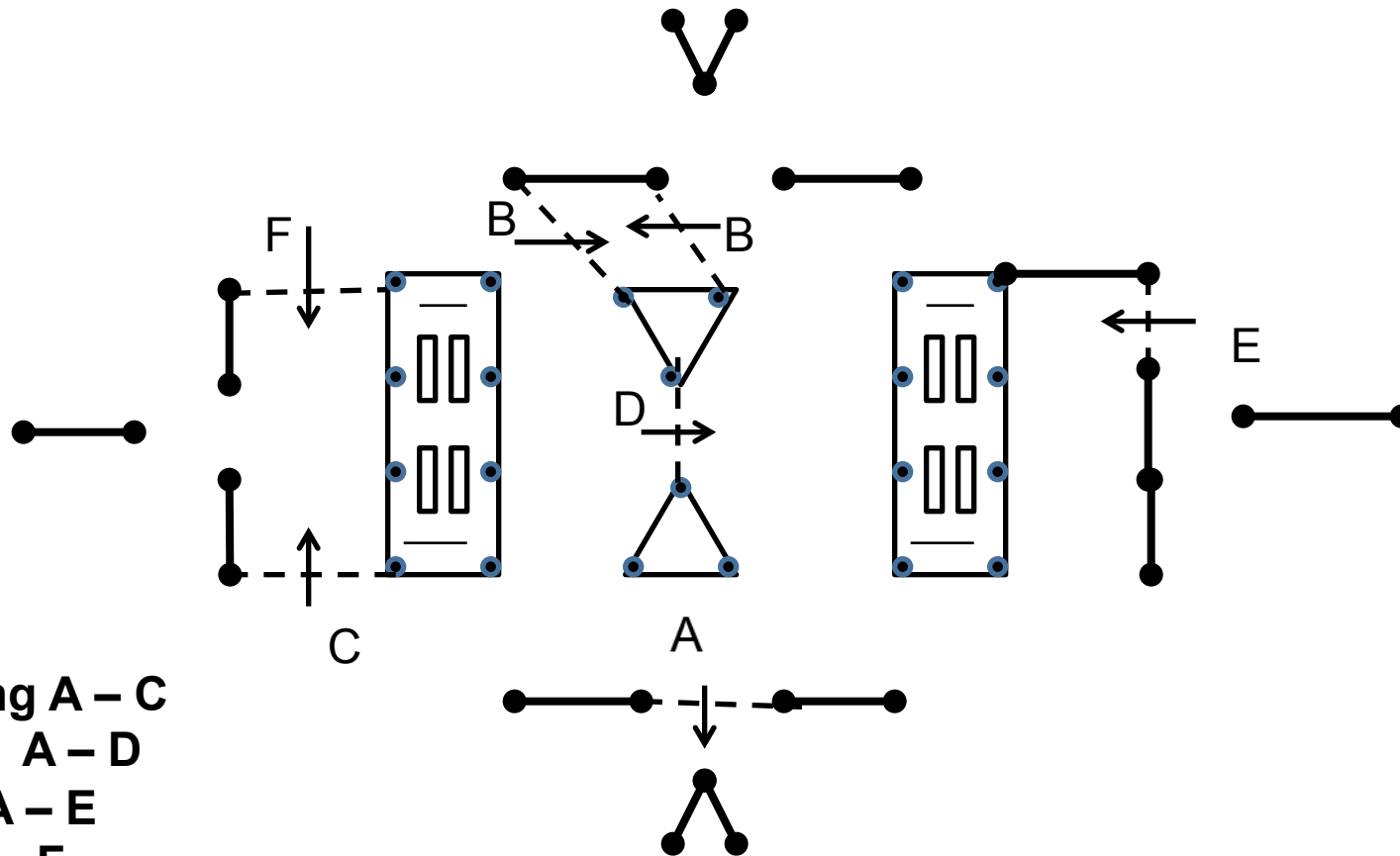
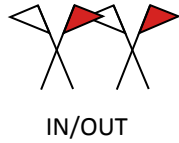
# OBSTACLE 6 PALM PLAZA

Prelim A – D  
Inter A – E  
FEI A – F





# OBSTACLE 7 AUTOBAHN

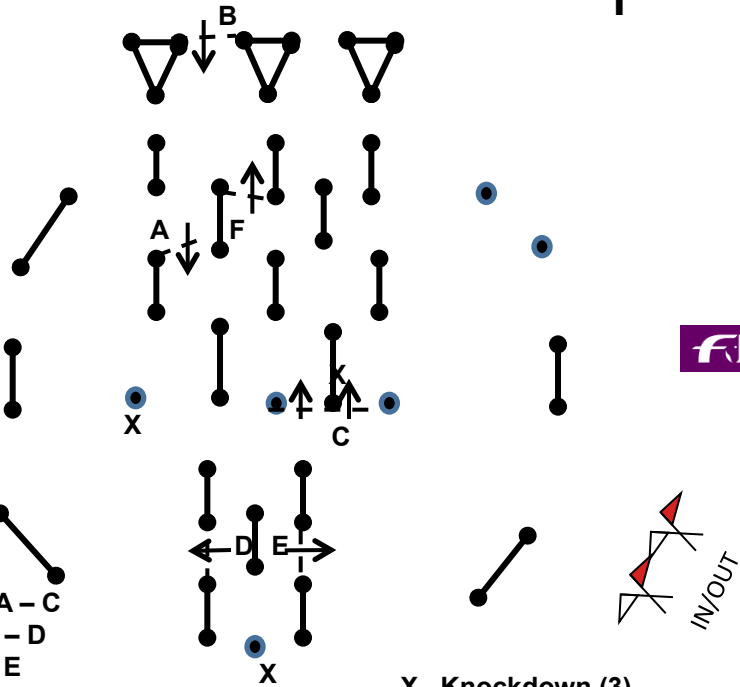


Training A – C  
Prelim A – D  
Inter A – E  
FEI A – F





1

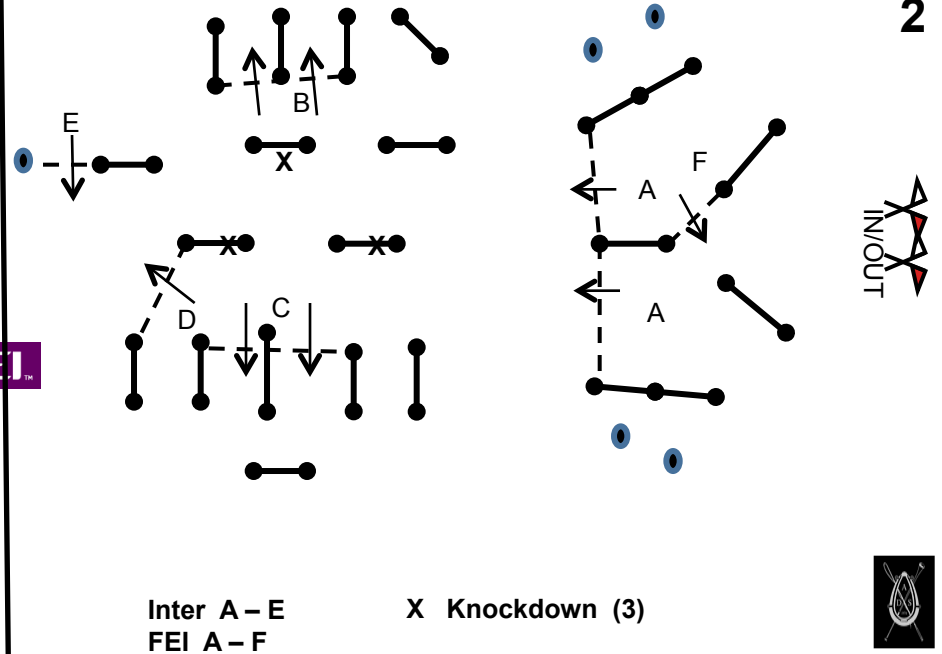


Training A - C  
 Prelim A - D  
 Inter A - E  
 FEI A - F

X Knockdown (3)



2

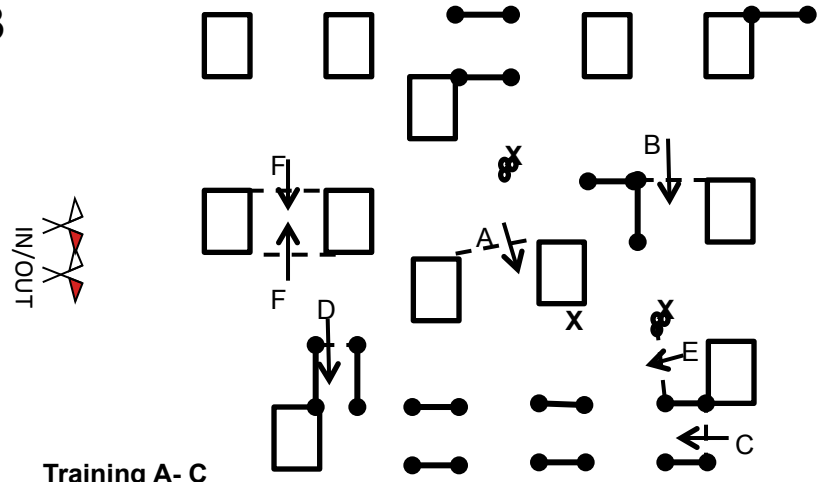


Inter A - E  
 FEI A - F

X Knockdown (3)



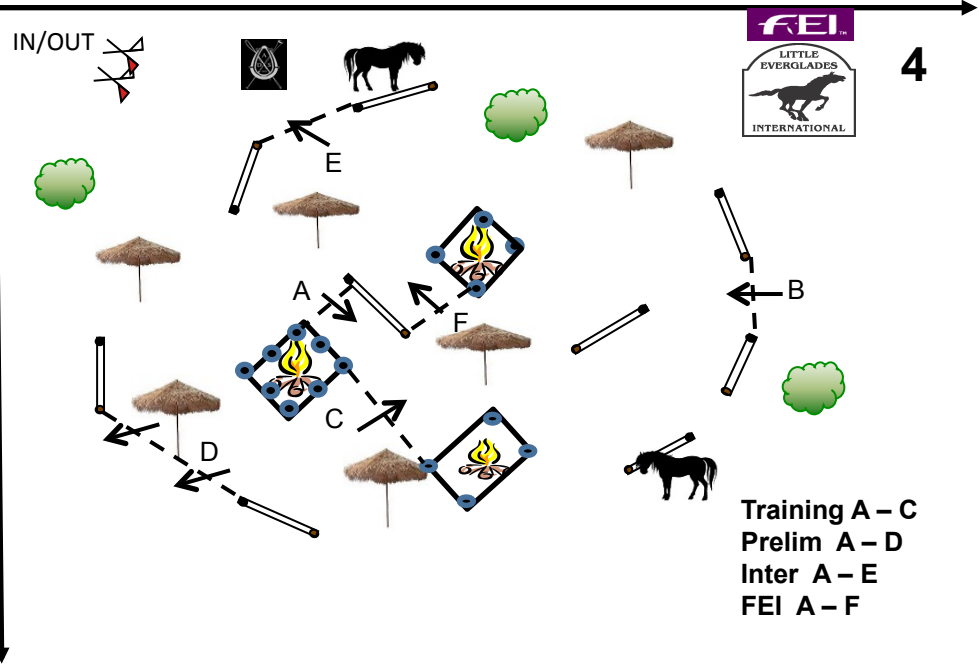
3



Training A - C  
 Prelim A - D  
 Inter A - E  
 FEI A - F

X Knockdown (3)

4

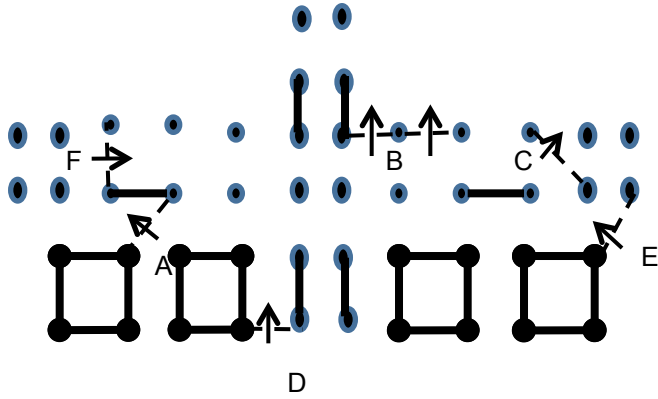


Training A - C  
 Prelim A - D  
 Inter A - E  
 FEI A - F

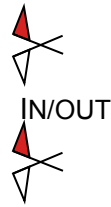




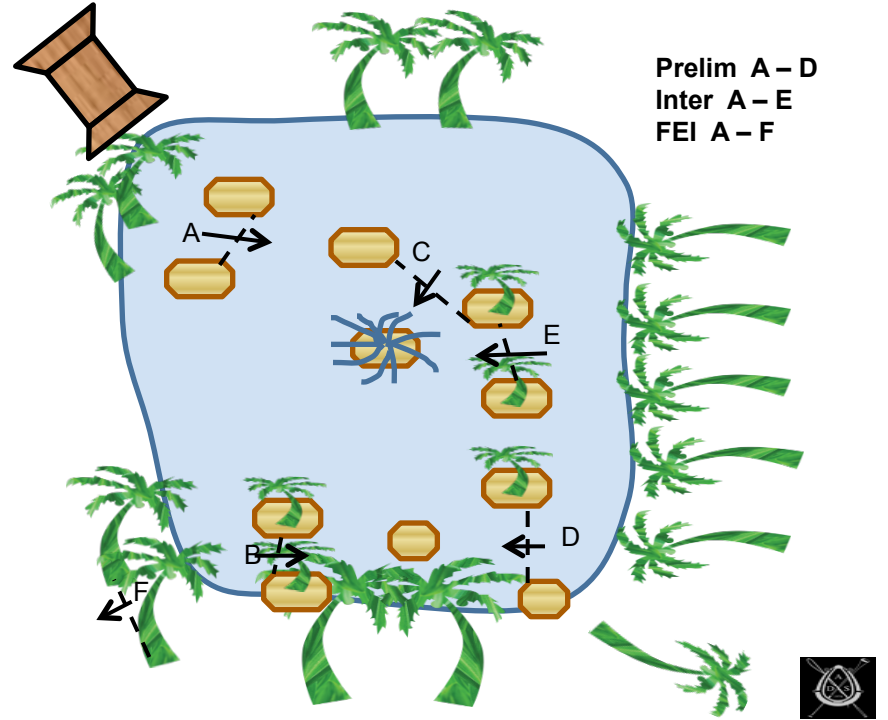
5



Training A - C  
 Prelim A - D  
 Inter A - E  
 FEI A - F

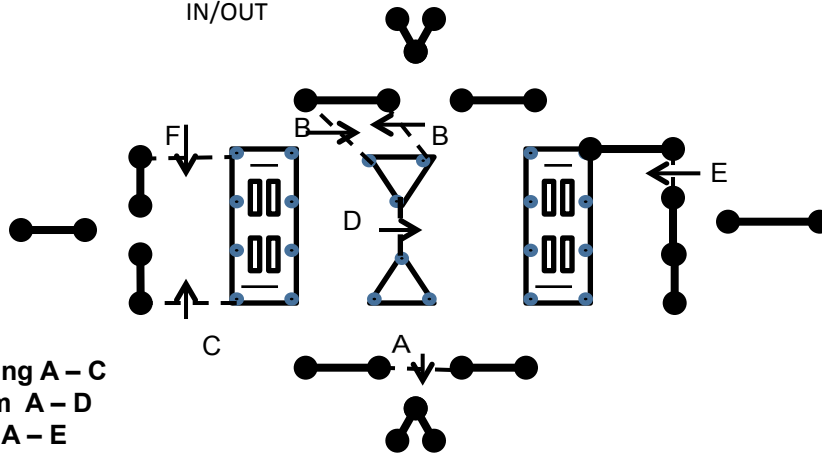


6



Prelim A - D  
 Inter A - E  
 FEI A - F

7



Training A - C  
 Prelim A - D  
 Inter A - E  
 FEI A - F

